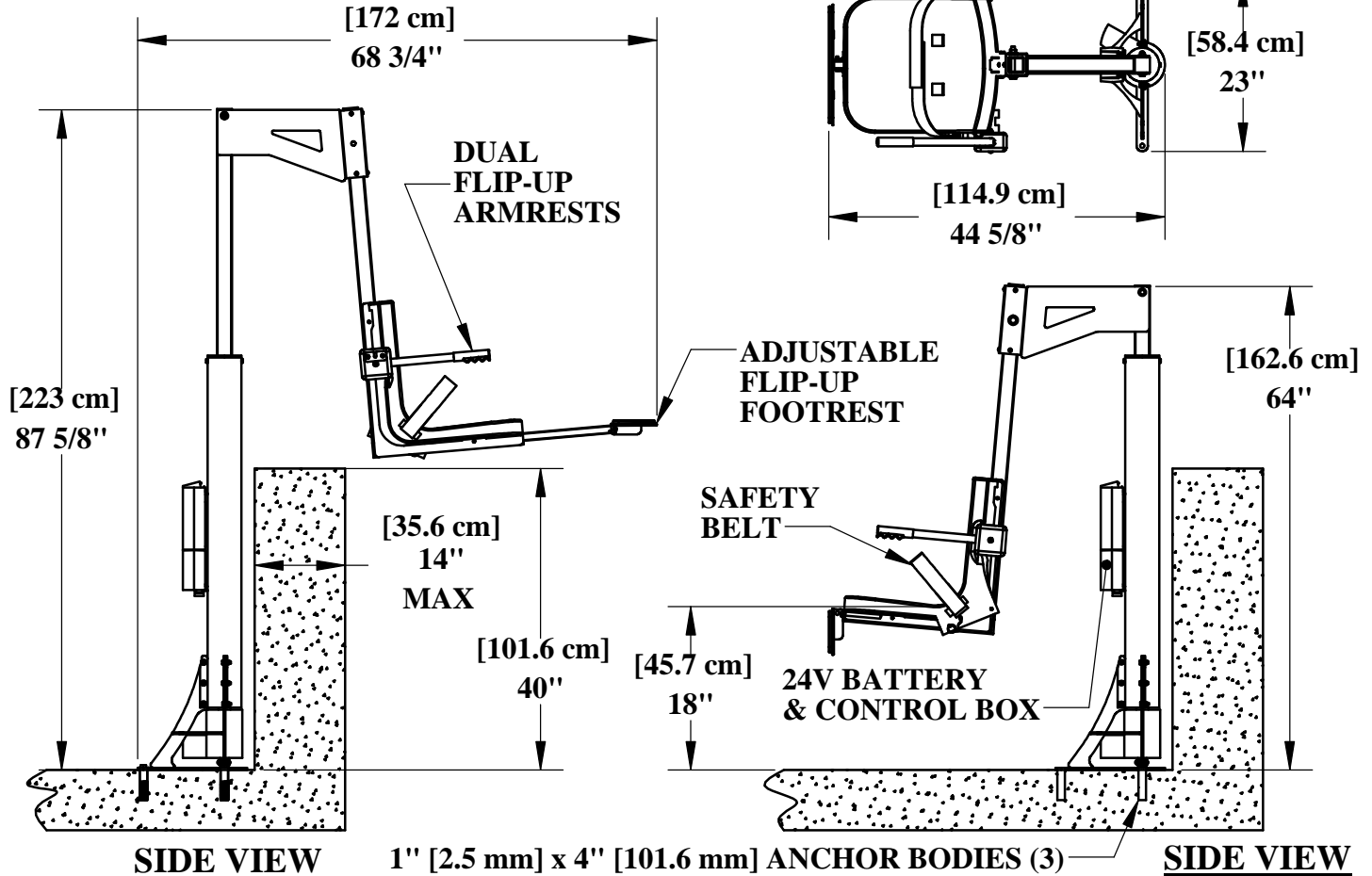


THE SPA LIFT™

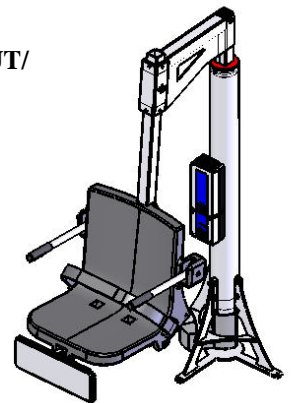
TOP VIEW



SPECIFICATIONS

THE AQUA CREEK SPA LIFT™ SHALL BE A 24-VOLT, ELECTRICALLY ACTUATED LIFT DESIGNED FOR ABOVE GROUND HOT TUBS, SPAS OR POOLS. THE LIFT SHALL BE POWERED BY A 24-VOLT RECHARGABLE BATTERY CAPABLE OF BEING REMOVED FROM THE LIFT FOR CHARGING PURPOSES. THE LIFT STRUCTURE SHALL BE MANUFACTURED OF TYPE 304 STAINLESS STEEL WITH A PROTECTIVE EPOXY POWDER COATING. THE LIFT SHALL BE DESIGNED TO PROVIDE A LIFTING CAPACITY OF 400 LBS (181 kgs). THE LIFT SHALL BE CAPABLE OF CLEARING A 40" [101.6 cm] HIGH BY 14" [35.6 cm] WIDE WALL. THE LIFT SHALL BE MOUNTED TO THE DECK AT THREE ANCHOR POINTS UTILIZING 1" [2.5 cm] THREADED ANCHORS. THE LIFT SHALL BE DESIGNED TO PROVIDE POWERED UP AND DOWN OPERATION AND SHALL PROVIDE FOR 360° MANUAL ROTATION IN EITHER DIRECTION. THE SPA LIFT™ SHALL INCLUDE AN ADJUSTABLE SAFETY BELT, PULL-OUT/FLIP-UP FOOTREST AND DUAL FLIP-UP ARMRESTS. THE LIFT SHALL CARRY A LIMITED LIFETIME WARRANTY.

BATTERY: 24-VOLT RECHARGABLE BATTERY PACK
 MAIN STRUCTURE: 4" [102 mm] TYPE 304 STAINLESS STEEL
 CHAIR ARM: 2" [51 mm] TYPE 304 STAINLESS STEEL
 ANCHORS: 1" [25 mm] x 4" [102 mm] THREADED ANCHORS, 304 S.S.
 FINISH: UV RESISTANT EPOXY POWDER COATING



Aqua Creek Products
 The Total Solution for Pool and Spa Access

9889 GARRYMORE LANE
 MISSOULA, MT 59808
 (406) 549-0769
 FAX (406) 549-2602

NOTE:
 *SPECIFICATIONS ARE SUBJECT TO CHANGE WITHOUT NOTICE
 *ALL DIMENSIONS ARE IN INCHES

PRODUCT:	F-005SLB	
DWG #:	F-005SLB-1	
SCALE:	1:24	DATE: 11/18/10
DRAWN BY:	DS	REVISION: H