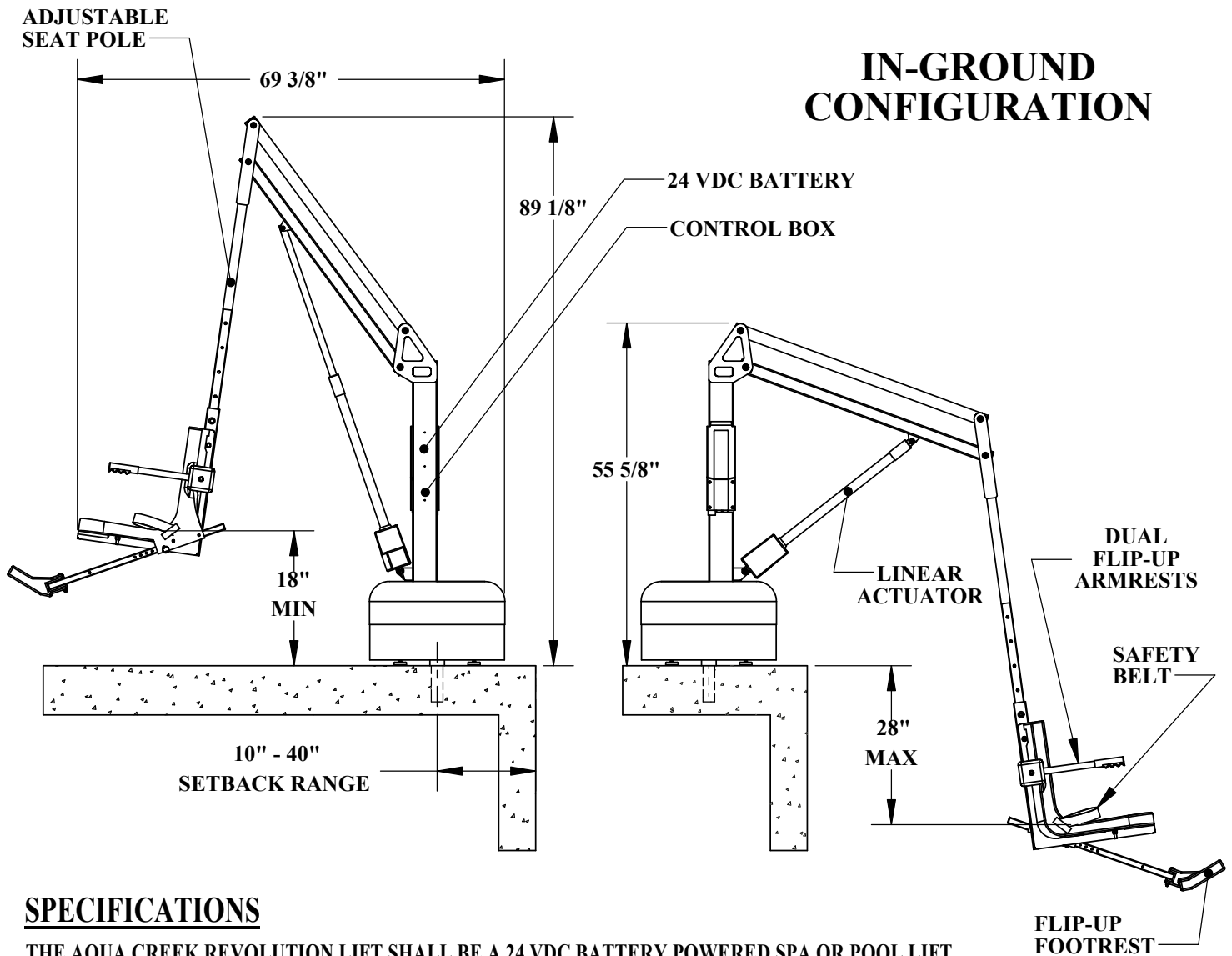


# REVOLUTION™ LIFT

## IN-GROUND CONFIGURATION



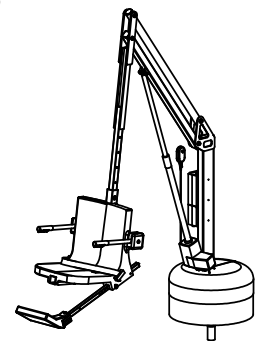
### SPECIFICATIONS

THE AQUA CREEK REVOLUTION LIFT SHALL BE A 24 VDC BATTERY POWERED SPA OR POOL LIFT. THE LIFT SHALL BE OF STAINLESS STEEL CONSTRUCTION WITH A LIFTING CAPACITY OF 500 LBS. THE LIFT SHALL HAVE AN OPERATING RANGE OF 48" AND HAVE AN ADJUSTABLE SEAT POLE TO ALLOW FOR IN-GROUND OR ABOVE-GROUND OPERATION. THE REVOLUTION LIFT CAN BE SETBACK UP TO 40" FROM THE POOL EDGE WITH UNLIMITED 360° OF POWERED ROTATION. THE UNIT SHALL INCLUDE A 6" DEEP ANCHOR WITH AN ANTI-TAMPER LID. STANDARD EQUIPMENT SHALL INCLUDE A SAFETY BELT, A FLIP-UP FOOTREST AND AN 18" WIDE SEAT WITH DUAL FLIP-UP ARMRESTS. A 5 YEAR STRUCTURAL WARRANTY IS STANDARD.

MAST: 2" X 4" X .120" WALL TYPE 304 STAINLESS STEEL TUBE.  
 BOOM: 2" X 2" X .120" WALL TYPE 304 STAINLESS STEEL TUBE.  
 LINEAR ACTUATOR: LINAK LA-34  
 ROTARY ACTUATOR: 24 VDC ROTARY MOTOR  
 FINISH: UV RESISTANT POLYESTER POWDER-COATING

#### ACCESSORIES:

ANCHOR: PART NUMBER: F-710RLA  
 COVER: PART NUMBER: F-720RC



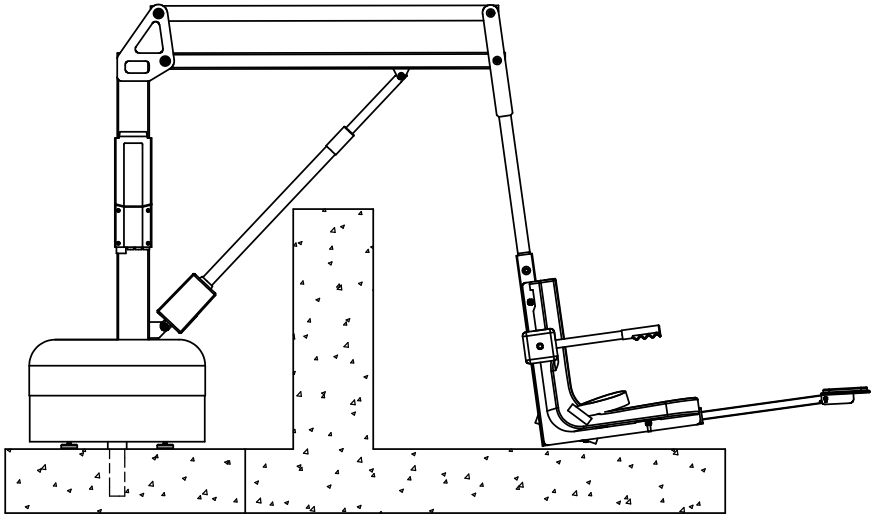
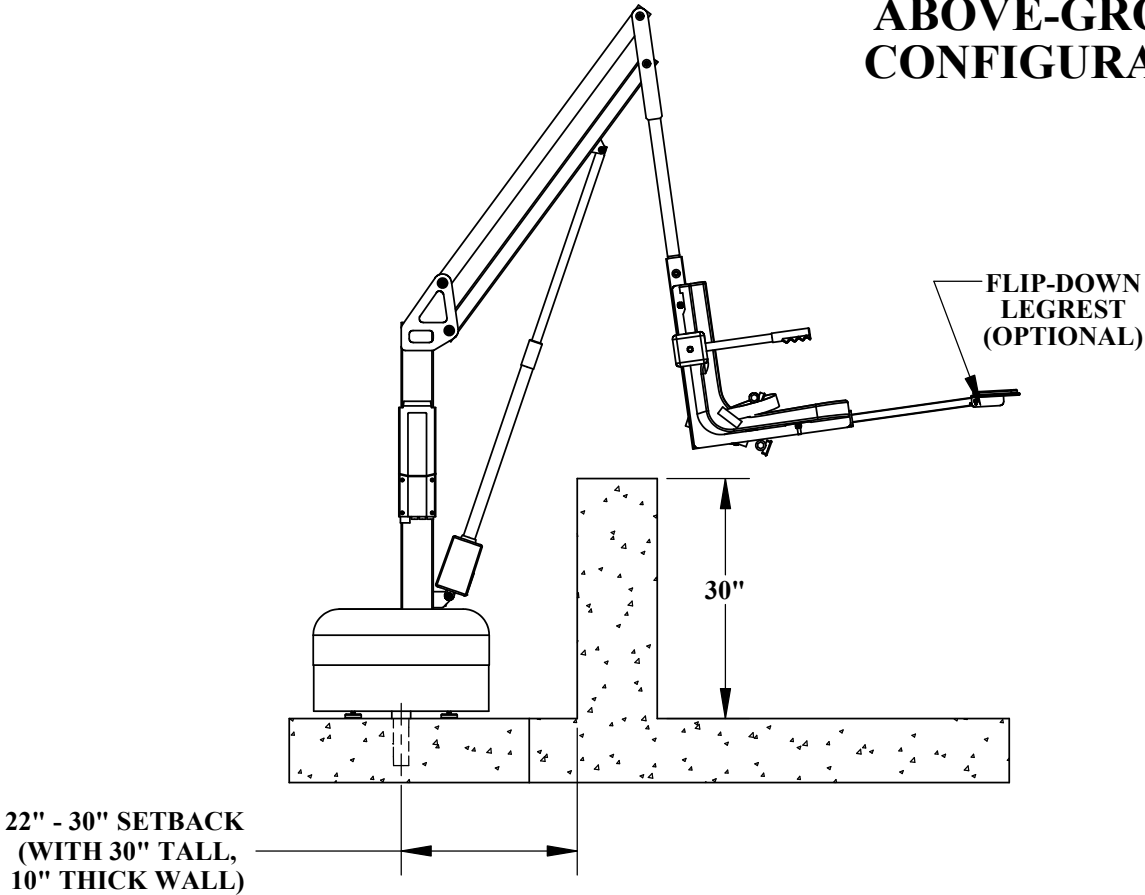
3015 W. RAILROAD ST. #8  
 MISSOULA, MT 59808  
 (406) 549-0769  
 FAX (406) 549-2602

NOTE:  
 \*SPECIFICATIONS ARE SUBJECT TO CHANGE WITHOUT NOTICE  
 \*ALL DIMENSIONS ARE IN INCHES

PRODUCT:	F-700RL	
DWG #:	F-700RL-1	
SCALE:	1:24	DATE: 04/30/07
DRAWN BY:	DS	REVISION: -



# ABOVE-GROUND CONFIGURATION



WHEN THE SEAT IS MOUNTED IN ITS HIGHEST POSITION THE REVOLUTION LIFT WILL CLEAR A 30" HIGH SPA WALL. THE SETBACK RANGE FOR A 30" TALL, 10" WIDE SPA WALL IS 22" TO 30". FOR SHORTER WALLS THIS RANGE IS LARGER. AN OPTIONAL SHORT SEAT ARM IS AVAILABLE FOR SPA WALLS AS HIGH AS 45". THE DRAWINGS ON THIS PAGE SHOW THE REVOLUTION LIFT WITH THE OPTIONAL FLIP-DOWN LEGREST.

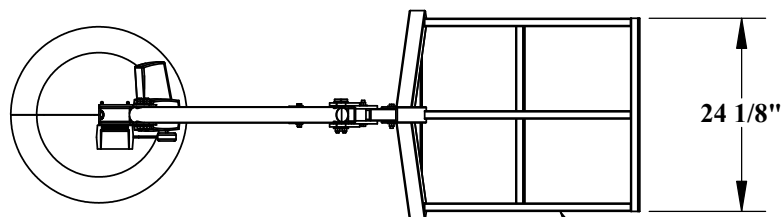


3015 W. RAILROAD ST. #8  
 MISSOULA, MT 59808  
 (406) 549-0769  
 FAX (406) 549-2602

NOTE:  
 \*SPECIFICATIONS ARE SUBJECT TO CHANGE WITHOUT NOTICE  
 \*ALL DIMENSIONS ARE IN INCHES

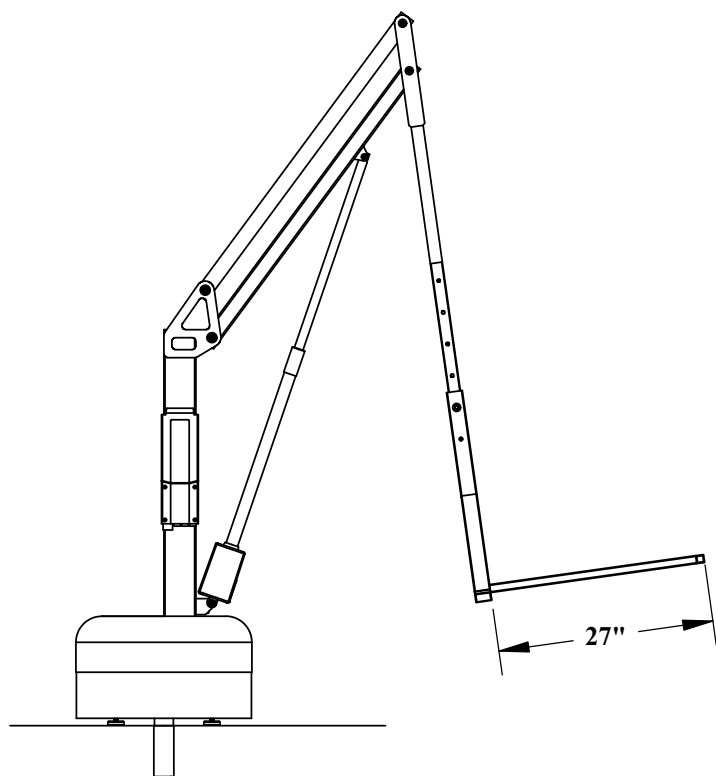
PRODUCT:	F-700RL	
DWG #:	F-700RL-2	
SCALE:	1:24	DATE: 04/30/07
DRAWN BY:	DS	REVISION: -

# REVOLUTION LIFT WITH OPTIONAL STRETCHER/GURNEY ATTACHMENT

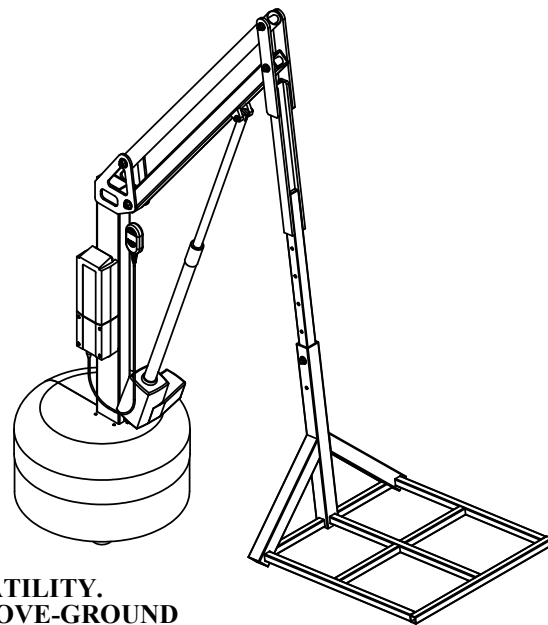


**TOP VIEW**

**OPTIONAL  
STRETCHER/GURNEY ATTACHMENT  
(PART NUMBER: F-730RSA)**



**SIDE VIEW**



**THE REVOLUTION LIFT CAN BE PURCHASED WITH AN  
OPTIONAL STRETCHER/GURNEY ATTACHMENT FOR ADDED VERSATILITY.  
THE STRETCHER/GURNEY ATTACHMENT WILL WORK IN BOTH ABOVE-GROUND  
AND IN-GROUND CONFIGURATIONS, AND WILL ALSO CLEAR A 30"  
SPA WALL WITH THE STANDARD SEAT POLE. WITH THE OPTIONAL  
SHORT SEAT POLE THE STRETCHER ADAPTER WILL CLEAR A 45" TALL SPA WALL.**



**3015 W. RAILROAD ST. #8  
MISSOULA, MT 59808  
(406) 549-0769  
FAX (406) 549-2602**

NOTE:  
\*SPECIFICATIONS ARE SUBJECT TO CHANGE WITHOUT NOTICE  
\*ALL DIMENSIONS ARE IN INCHES

<b>PRODUCT:</b>		<b>F-700RL &amp; F-730RSA</b>	
<b>DWG #:</b>		<b>F-700RL-3</b>	
<b>SCALE:</b>	<b>1:24</b>	<b>DATE:</b>	<b>04/30/07</b>
<b>DRAWN BY:</b>	<b>DS</b>	<b>REVISION:</b>	<b>-</b>